

# Antenna Workspaces® Mobile Tech Cart

## Parts Included:



Locking Caster  
3AB1237 (qty 2)



Non-Locking Caster  
3AB1238 (qty 2)

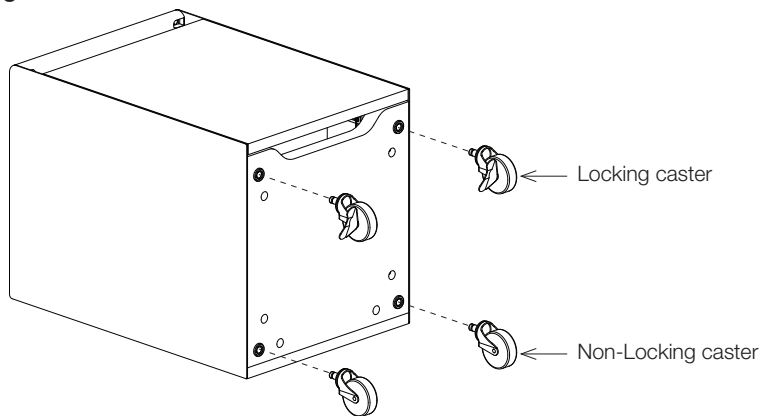
## Tools:

Mallet/Non-marring hammer (optional)

### Steps for Caster Assembly

1. Remove casters from packaging inside of cart.
2. Lay the cart on its back (door facing up).
3. Press fit the casters into the caster inserts located on the bottom of the cart. Locking Casters with brakes should be installed closest to the door. A non-marring hammer may be used to tap into position if needed (Fig. 1).

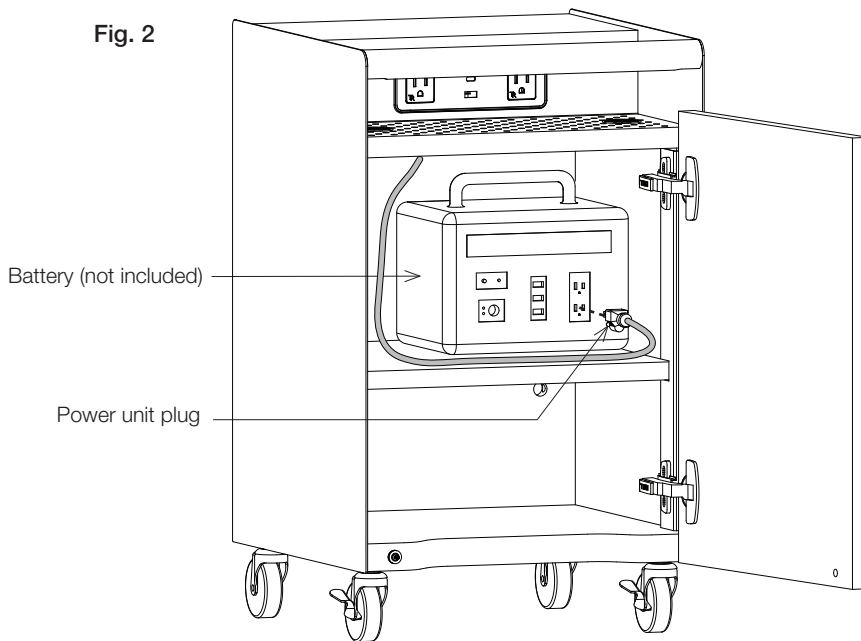
Fig. 1



### Steps for Power Unit connection

1. Position the battery (if used) inside the cart on the desired shelf. Battery may need to be tipped into position to get behind the front lip of the perforated metal tray.
2. Route the plug end of the power unit to the nearest available outlet on the battery power source, or wall outlet if a battery is not being used (Fig. 2).

Fig. 2



## DISASSEMBLY FOR RECYCLING

### Materials Identification and Segregation:

Where possible plastic components are marked with ASTM recycling codes. Use these codes to identify material type for recycling. Non-marked components should be treated as mixed plastic. Ferrous metals can be identified using a small magnet for recycling. Non-ferrous metals should be separated and recycled separately.

To disassemble product, reverse the above installation steps.