

Quoin® Desk Supporting Pedestal

1. Remove upper drawer by opening drawer completely and insert a flat blade screwdriver between the drawer slide and drawer body side as shown. Turn screwdriver while pulling up on the front of the drawer body until drawer detent disengages from slide. **(Fig. 1)**
2. Tape (4) plastic spacer washers on top of front and rear crossrails as shown. Slide pedestal under panel installed worksurface **(Note: Gently lift the worksurface to slide pedestal underneath)**. **(Fig. 2)**

Hardware



1/4-14 x 7/8"
Phillips Drive Screw



Plastic Spacer Washer

(Continued)

Fig. 1

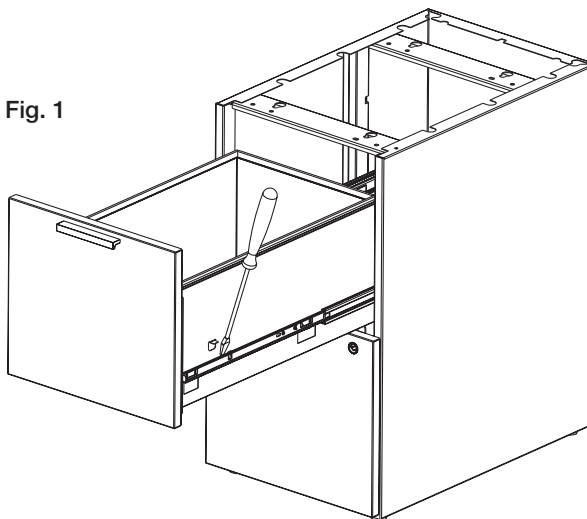
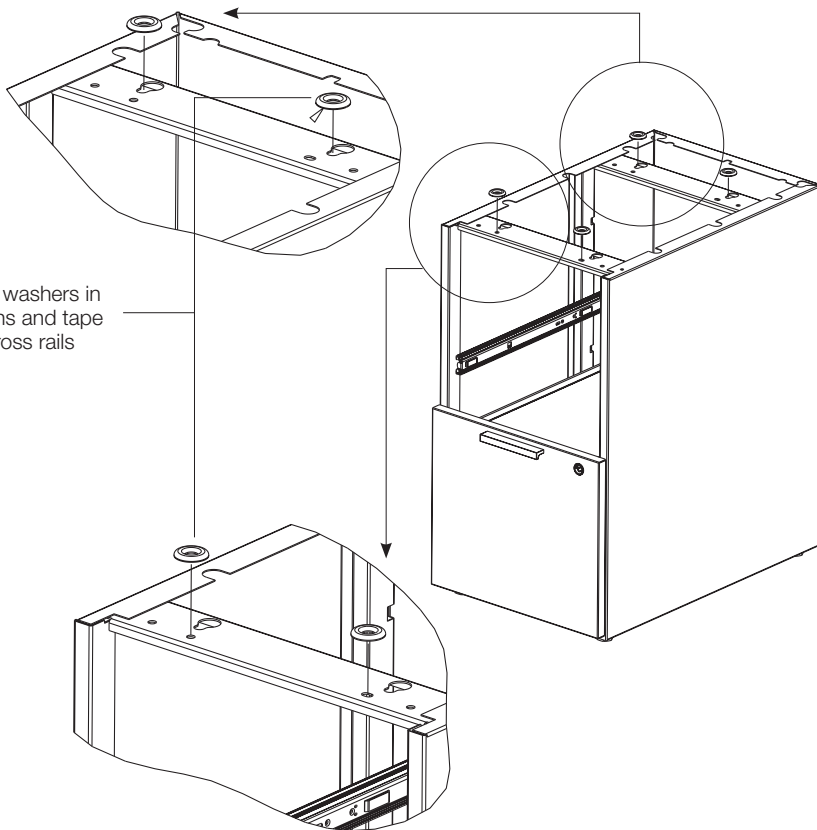


Fig. 2

Place spacer washers in these locations and tape securely to cross rails



DISASSEMBLY FOR RECYCLING

Materials Identification and Segregation:

Where possible plastic components are marked with ASTM recycling codes. Use these codes to identify material type for recycling. Non-marked components should be treated as mixed plastic. Ferrous metals can be identified using a small magnet for recycling. Non-ferrous metals should be separated and recycled separately.

To disassemble product, reverse the above installation steps.

Quoin® Desk Supporting Pedestal

3. Align holes in front pedestal crossrail to pre-drilled holes in worksurface. Using the ¼-7/8" screws, attach worksurface to pedestal as shown. **(Fig. 3)** *(Note: If no pre-drilled hole is present in worksurface, self-drive screw through corresponding hole in pedestal crossrail.)*
4. If a panel-to-worksurface bracket is installed on a return panel (at front of worksurface), remove bracket screw as shown before sliding pedestal under worksurface. Reinstall panel-to-worksurface bracket screw through hole in pedestal front cross rail after pedestal is in position. **(Fig. 4)**

(Continued)

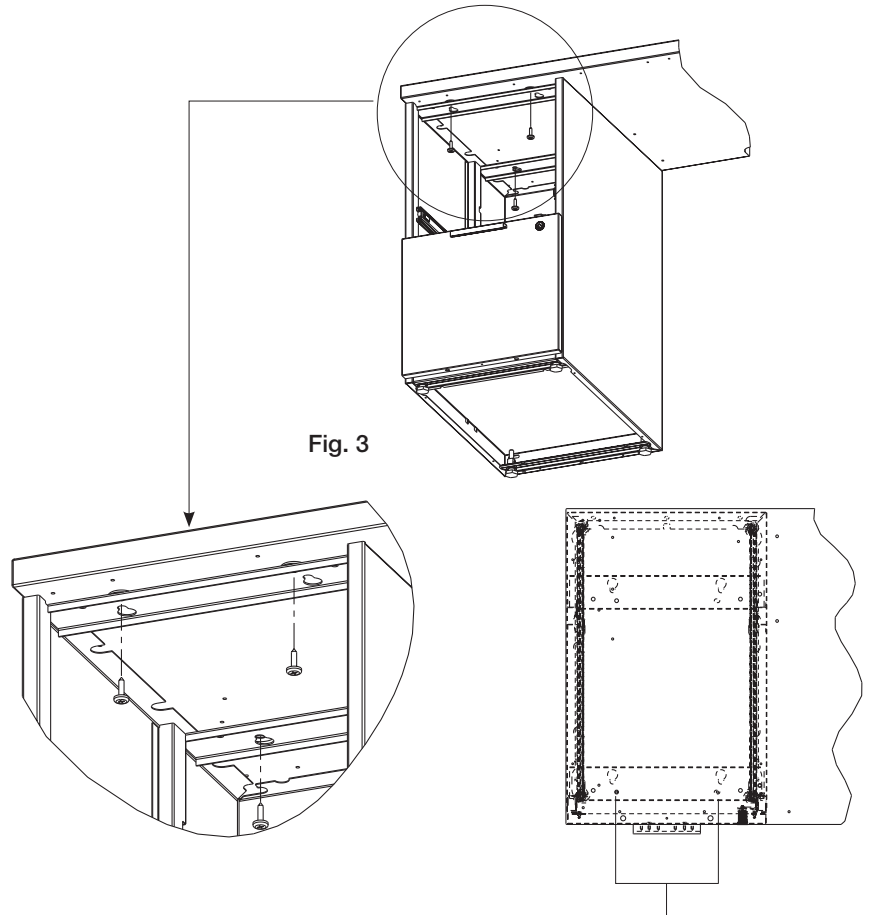
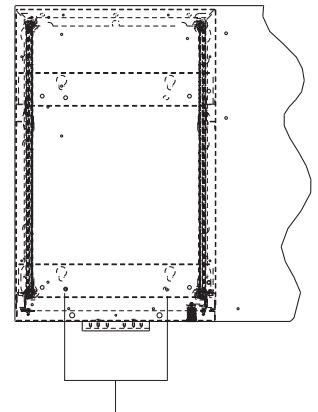


Fig. 3



Top View

Align these front cross rail holes to predrilled holes in wksf

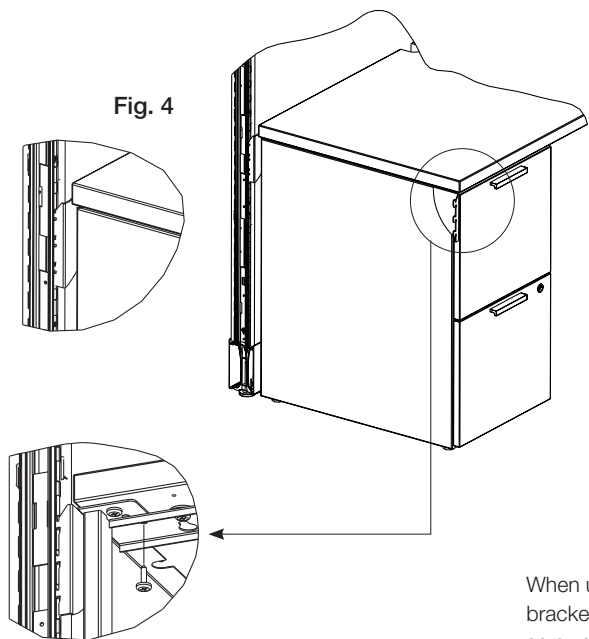
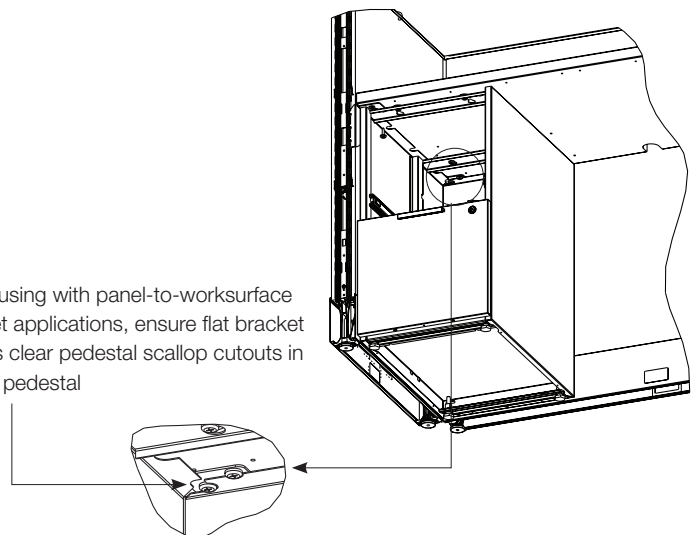


Fig. 4

When using a panel-to-worksurface bracket at front of pedestal, remove this screw before sliding pedestal under worksurface. Then, reinstall screw through pedestal cross rail

When using with panel-to-worksurface bracket applications, ensure flat bracket screws clear pedestal scallop cutouts in rear of pedestal



Quoin® Desk Supporting Pedestal

5. If an adjoining worksurface with flat bracket is installed, ensure screw heads for flat bracket align with scallop cuts on pedestal wrapper as shown. (Fig. 5)

